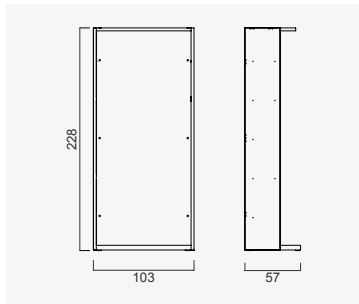
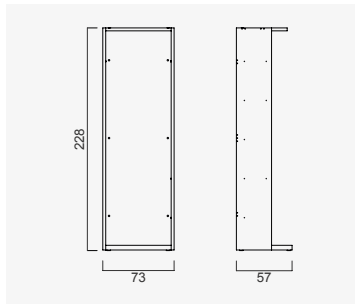


# sigma cabinet

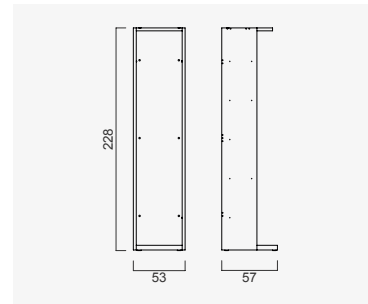
SG-100  
(100 CM)



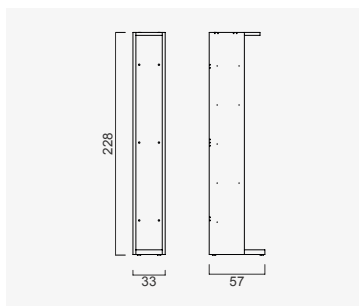
SG-70  
(70 CM)



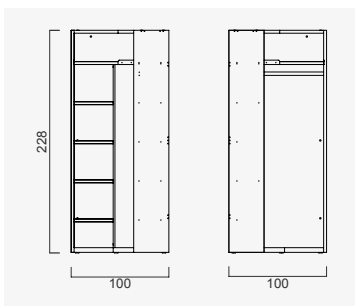
SG-50  
(50 CM)



SG-30  
(30 CM)

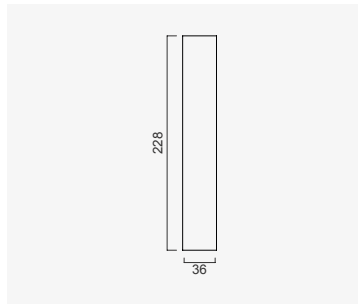


SG-100K  
(CORNER CABINET)

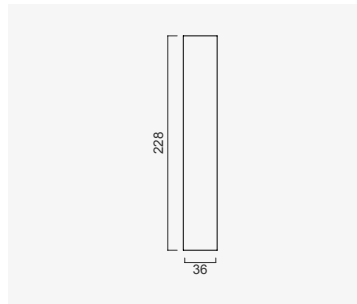


# sigma side cover

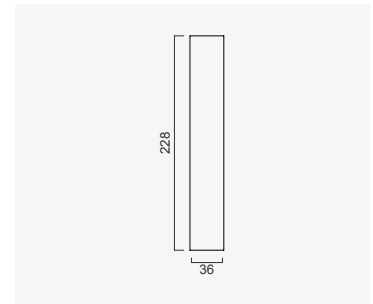
SY-RIGHT  
SIGMA RIHGT SIDE COVER



SY-LEFT  
SIGMA LEFT SIDE COVER



SY-MIDDLE  
SIGMA MIDDLE SIDE COVER



# sigma modules

SM-01

MODULE WITH DRAWERS 100 CM



SM-02

JACKETED MODULE 100 CM



SM-03

GLASS SHELF MODULE 100 CM 1 PC.



SM-04

GLASS SHELF MODULE 100 CM 2 PCS.



SM-05

GLASS SHELF MODULE 100 CM 3 PCS.



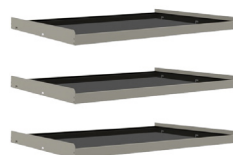
SM-06

GLASS SHELF MODULE 70 CM 2 PCS.



SM-07

GLASS SHELF MODULE 70 CM 3 PCS.



SM-08

GLASS SHELF MODULE 50 CM 2 PCS.



SM-09

GLASS SHELF MODULE 50 CM 3 PCS.



SM-11

WOODEN SHELF MODULE 100 CM 1 PC.



SM-12

WOODEN SHELF MODULE 100 CM 2 PCS.



SM-13

WOODEN SHELF MODULE 100 CM 3 PCS.



SM-14

WOODEN SHELF MODULE 70 CM 2 PCS.



SM-15

WOODEN SHELF MODULE 70 CM 3 PCS.



SM-16

WOODEN SHELF MODULE 50 CM 2 PCS.

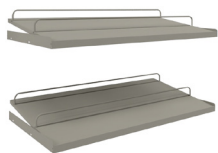


SM-17

WOODEN SHELF MODULE 50 CM 3 PCS.



**SM-19**  
SHOE MODULE 100 CM 2 PCS.



**SM-20**  
HANGING MODULE 100 CM



**SM-21**  
HANGING MODULE 70 CM



**SM-22**  
HANGING MODULE 50 CM



**SM-23**  
CORNER HANGING SHELF MODULE

