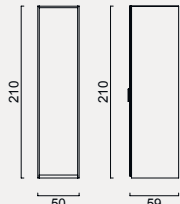


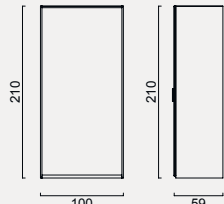
# alfa plus main cabinets 210 cm

G 01 ALFA  
(SINGLE MAIN CABINET)



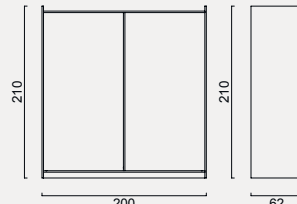
KG: 40,0 m<sup>3</sup>: 0,09

G 02 ALFA  
(DOUBLE MAIN CABINET)



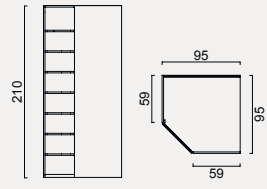
KG: 53,0 m<sup>3</sup>: 0,10

G 03 ALFA  
(CABINET WITH SLIDING DOORS)



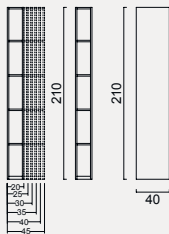
KG: 100,0 m<sup>3</sup>: 0,20

D 09 ALFA  
(CORNER CABINET)



KG: 128,0 m<sup>3</sup>: 0,23

D 10 ALFA  
(MIDDLE MODULE CABINET)  
W: 20 - 25 - 30 - 35 - 40 - 45 cm)



20 cm KG: 9,0 m<sup>3</sup>: 0,05  
 25 cm KG: 10,0 m<sup>3</sup>: 0,05  
 30 cm KG: 13,0 m<sup>3</sup>: 0,07  
 35 cm KG: 18,0 m<sup>3</sup>: 0,07  
 40 cm KG: 27,0 m<sup>3</sup>: 0,08  
 45 cm KG: 35,0 m<sup>3</sup>: 0,08

# alfa plus doors 210 cm (1 pc)

K 01 LENS  
(DARK TINT GLASS DOOR)



KG: 26,0 m<sup>3</sup>: 0,087

K 02 DOLE  
(MIRROR DOOR)



KG: 28,8 m<sup>3</sup>: 0,064

K 03 LYON  
(MIRROR DOOR)



KG: 36,0 m<sup>3</sup>: 0,073

K 04 REZE  
(MDF DOOR)



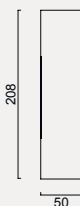
KG: 22,0 m<sup>3</sup>: 0,069

K 05 LAVAL  
(WOODEN DOOR)



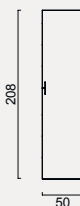
KG: 22,4 m<sup>3</sup>: 0,042

K 06 PIZA  
(WOODEN DOOR)



KG: 22,4 m<sup>3</sup>: 0,041

K 07 ALBI  
(WOODEN DOOR)



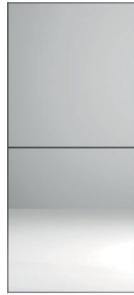
KG: 22,4 m<sup>3</sup>: 0,059

# alfa plus sliding doors 210 cm (2 pcs.)

K 08 LENS  
(SLIDING DOOR) (2 PCS.)



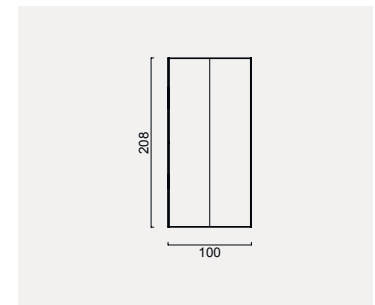
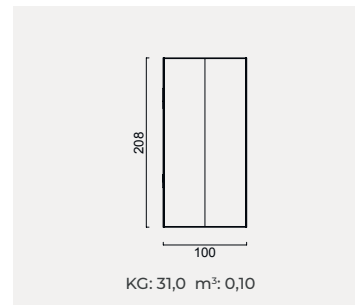
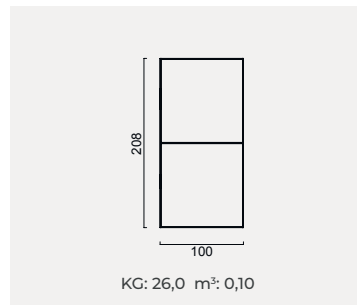
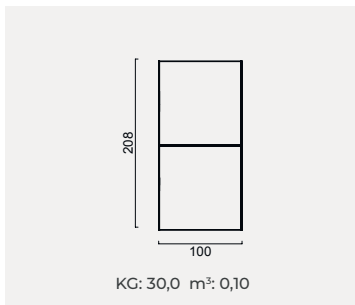
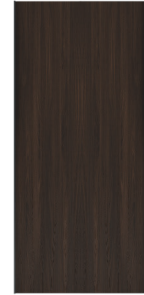
K 09 DOLE  
(SLIDING DOOR) (2 PCS.)



K 10 LYON  
(SLIDING DOOR) (2 PCS.)



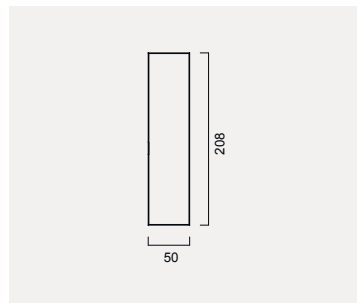
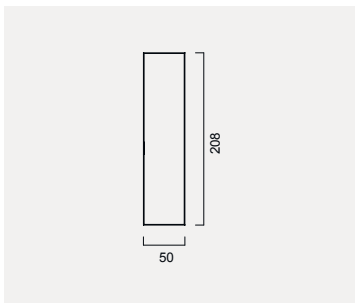
K 11 LYON  
(SLIDING DOOR) (2 PCS.)



K 12 ELIZE  
(GLASS DOOR)

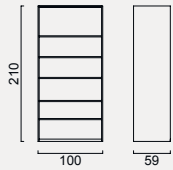


K 13 DORA  
(MIRROR DOOR)



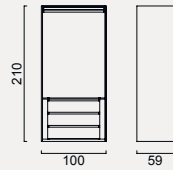
# alfa plus cabinets 210 cm (without door)

**D 01 Double Cabinet**  
CABINET WITH SHELVES



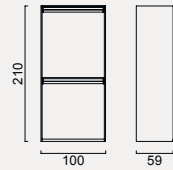
KG: 76,0 m<sup>3</sup>: 0,24

**D 02 Double Cabinet**  
CABINET WITH DRAWERS



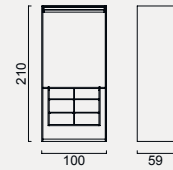
KG: 88,0 m<sup>3</sup>: 0,17

**D 03 Double Cabinet**  
CABINET WITH HANGER



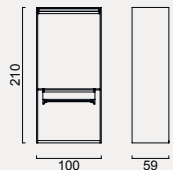
KG: 53,0 m<sup>3</sup>: 0,12

**D 04 Double Cabinet**  
CABINET WITH T-SHIRT ORGANIZER



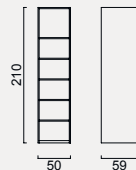
KG: 68,0 m<sup>3</sup>: 0,14

**D 05 Double Cabinet**  
CABINET WITH TROUSER RACK



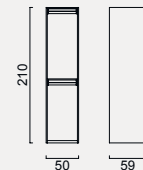
KG: 68,0 m<sup>3</sup>: 0,14

**D 06 Single Cabinet**  
CABINET WITH SHELVES



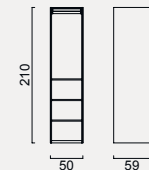
KG: 55,0 m<sup>3</sup>: 0,15

**D 07 Single Cabinet**  
CABINET WITH HANGER



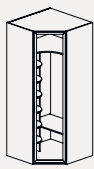
KG: 47,0 m<sup>3</sup>: 0,11

**D 08 Single Cabinet**  
CABINET WITH 3 SHELVES



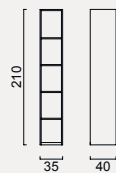
KG: 49,0 m<sup>3</sup>: 0,13

**D 09 Corner Cabinet**



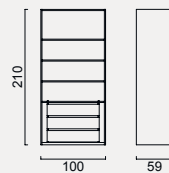
KG: 121,0 m<sup>3</sup>: 0,39

**D 10 Mid Cabinet**



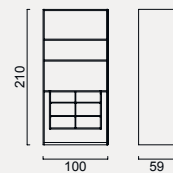
KG: 18,0 m<sup>3</sup>: 0,07

**D 11 Double Cabinet**  
CABINET WITH SHELVES & DRAWERS



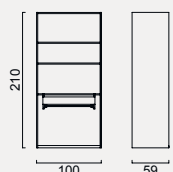
KG: 100,0 m<sup>3</sup>: 0,25

**D 12 Double Cabinet**  
CABINET WITH SHELVES & T-SHIRT ORGANIZER



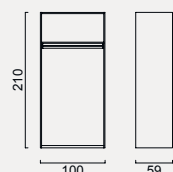
KG: 77,0 m<sup>3</sup>: 0,20

**D 13 Double Cabinet**  
CABINET WITH SHELVES & TROUSER RACK



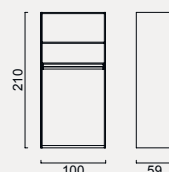
KG: 77,0 m<sup>3</sup>: 0,20

**D 14 Double Cabinet**  
CABINET WITH SHELF & HANGER



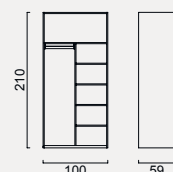
KG: 58,0 m<sup>3</sup>: 0,12

**D 15 Double Cabinet**  
CABINET WITH SHELVES & HANGER



KG: 65,0 m<sup>3</sup>: 0,15

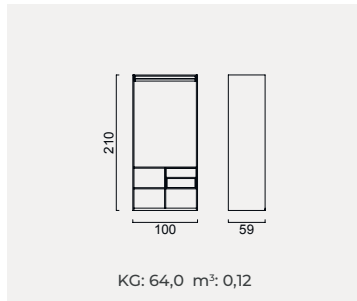
**D 16 Double Cabinet**  
DOUBLE CABINET WITH SEPERATOR MODULE AND SHELVES



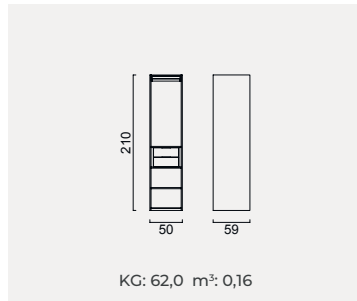
KG: 73,0 m<sup>3</sup>: 0,14

# alfa plus cabinets 210 cm (without door)

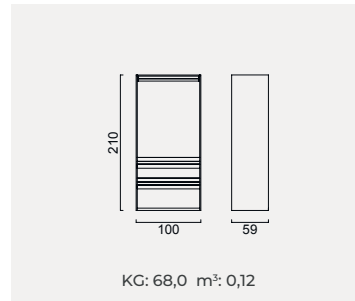
D 17 Double Cabinet  
CABINET WITH HIDDEN COMPARTMENT  
MODULE



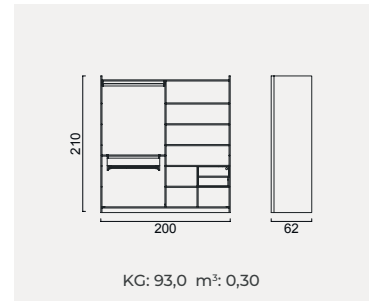
D 18 Single Cabinet  
WITH DRAWERS MODULE



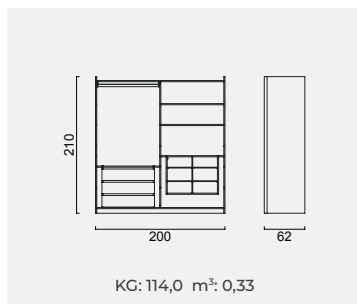
D 19 Double Cabinet  
CABINET WITH SHOES ORGANIZER



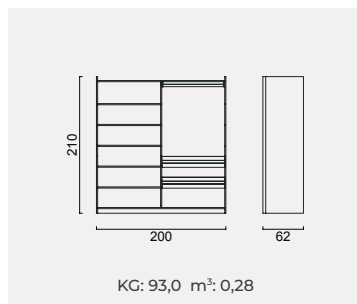
S 01 Sliding Door



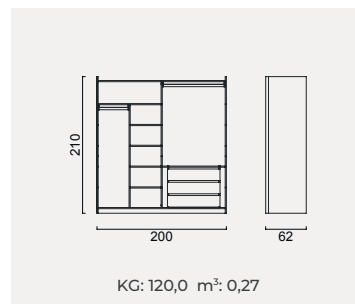
S 02 Sliding Door



S 03 Sliding Door



S 04 Sliding Door



# alfa plus main cabinets 230 cm

**G 01 ALFA**  
(SINGLE MAIN CABINET)



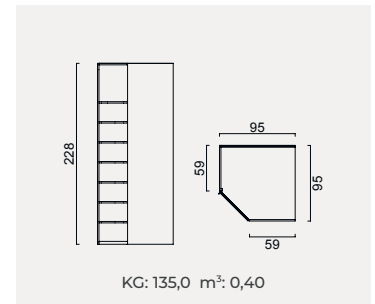
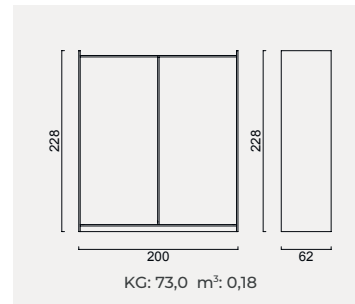
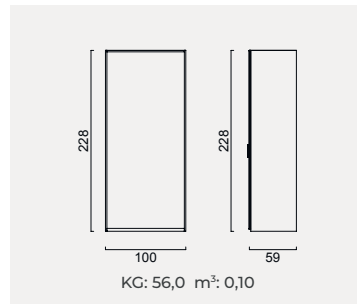
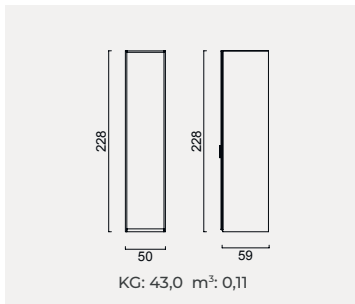
**G 02 ALFA**  
(DOUBLE MAIN CABINET)



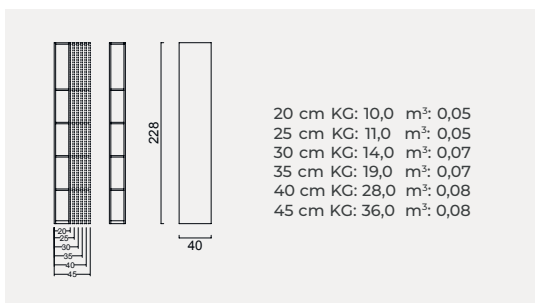
**G 03 ALFA**  
(CABINET WITH SLIDING DOORS)



**D 09 ALFA**  
(CORNER CABINET)



**D 10 ALFA**  
(MIDDLE MODULE CABINET)  
W: 20 - 25 - 30 - 35 - 40 - 45 cm



# alfa plus doors 230 cm (1 pc)

K 01 LENS  
(DARK TINT GLASS DOOR)



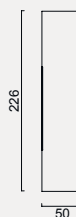
KG: 28,0 m<sup>3</sup>: 0,093

K 02 DOLE  
(MIRROR DOOR)



KG: 34,4 m<sup>3</sup>: 0,069

K 03 LYON  
(MIRROR DOOR)



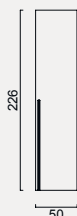
KG: 48,0 m<sup>3</sup>: 0,078

K 04 REZE  
(MDF DOOR)



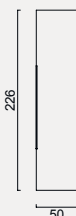
KG: 40,0 m<sup>3</sup>: 0,074

K 05 LAVAL  
(WOODEN DOOR)



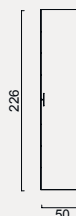
KG: 26,6 m<sup>3</sup>: 0,048

K 06 PIZA  
(WOODEN DOOR)



KG: 22,4 m<sup>3</sup>: 0,046

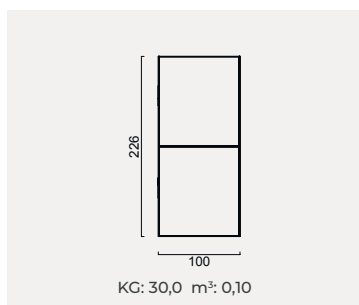
K 07 ALBI  
(WOODEN DOOR)



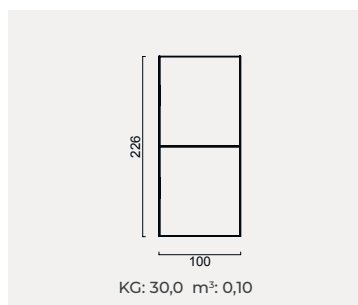
KG: 26,0 m<sup>3</sup>: 0,064

# alfa plus sliding doors 230 cm (2 pcs.)

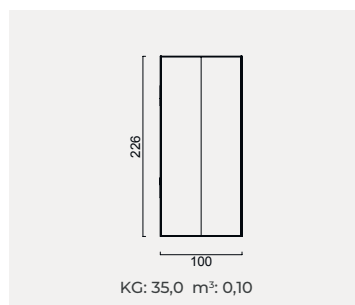
K 08 LENS  
(SLIDING DOOR) (2 PCS.)



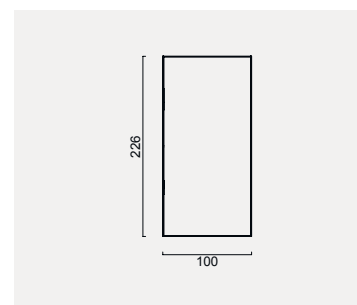
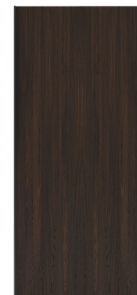
K 09 DOLE  
(SLIDING DOOR) (2 PCS.)



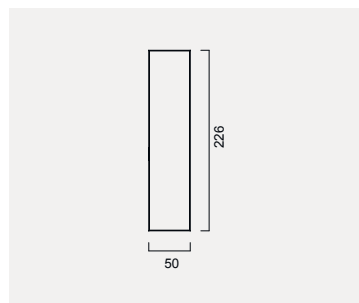
K 10 LYON  
(SLIDING DOOR) (2 PCS.)



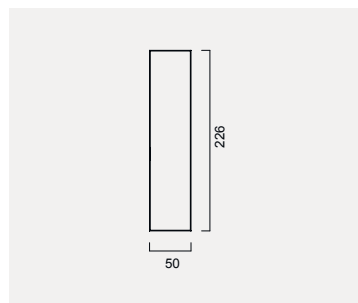
K 11 LYON  
(SLIDING DOOR) (2 PCS.)



K 12 ELIZE  
(GLASS DOOR)



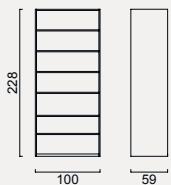
K 13 DORA  
(MIRROR DOOR)





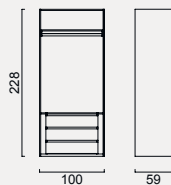
# alfa plus cabinets 230 cm (without door)

**D 01 Double Cabinet**  
CABINET WITH 6 SHELVES



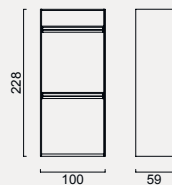
KG: 69,0 m<sup>3</sup>: 0,19

**D 02 Double Cabinet**  
CABINET WITH DRAWERS



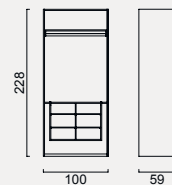
KG: 95,0 m<sup>3</sup>: 0,20

**D 03 Double Cabinet**  
CABINET WITH HANGER



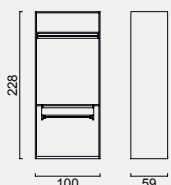
KG: 66,0 m<sup>3</sup>: 0,14

**D 04 Double Cabinet**  
CABINET WITH T-SHIRT ORGANIZER



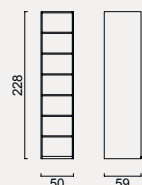
KG: 75,0 m<sup>3</sup>: 0,17

**D 05 Double Cabinet**  
CABINET WITH TROUSER RACK



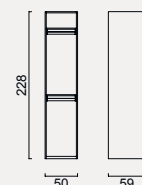
KG: 75,0 m<sup>3</sup>: 0,17

**D 06 Single Cabinet**  
CABINET WITH 6 SHELVES



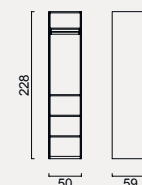
KG: 52,0 m<sup>3</sup>: 0,14

**D 07 Single Cabinet**  
CABINET WITH HANGER



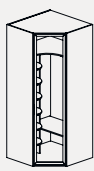
KG: 49,0 m<sup>3</sup>: 0,12

**D 08 Single Cabinet**  
CABINET WITH 3 SHELVES



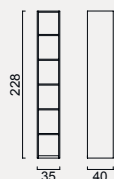
KG: 55,0 m<sup>3</sup>: 0,15

**D 09 Corner Cabinet**



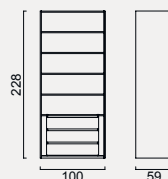
KG: 135,0 m<sup>3</sup>: 0,40

**D 10 Mid Cabinet**



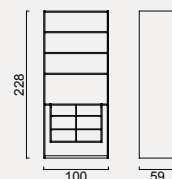
KG: 20,0 m<sup>3</sup>: 0,08

**D 11 Double Cabinet**  
CABINET WITH 4 SHELVES & DRAWERS



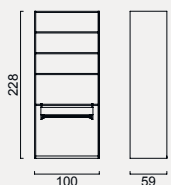
KG: 100,0 m<sup>3</sup>: 0,24

**D 12 Double Cabinet**  
CABINET WITH 3 SHELVES & T-SHIRT ORGANIZER



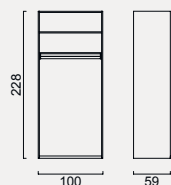
KG: 83,0 m<sup>3</sup>: 0,23

**D 13 Double Cabinet**  
CABINET WITH 3 SHELVES & TROUSER RACK



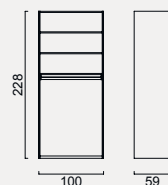
KG: 83,0 m<sup>3</sup>: 0,18

**D 14 Double Cabinet**  
CABINET WITH 1 SHELF & HANGER



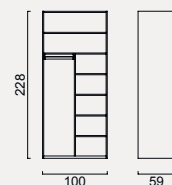
KG: 71,0 m<sup>3</sup>: 0,21

**D 15 Double Cabinet**  
CABINET WITH 2 SHELVES & HANGER



KG: 71,0 m<sup>3</sup>: 0,19

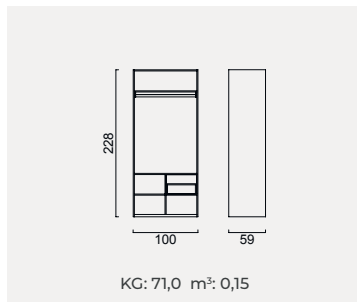
**D 16 Double Cabinet**  
DOUBLE CABINET WITH SEPERATOR MODULE AND SHLEVES



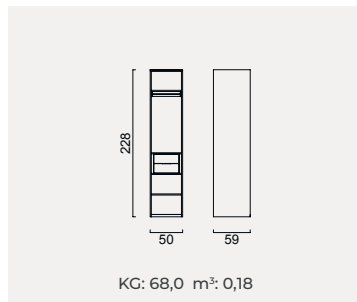
KG: 83,0 m<sup>3</sup>: 0,18

# alfa plus cabinets 230 cm (without door)

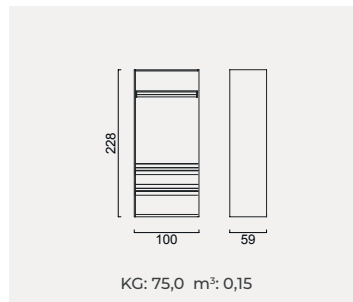
D 17 Double Cabinet  
CABINET WITH HIDDEN COMPARTMENT  
MODULE



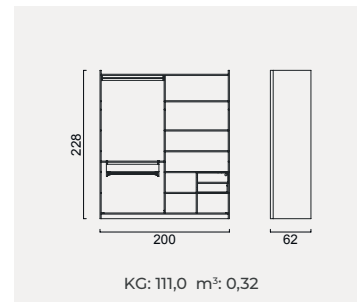
D 18 Single Cabinet  
WITH DRAWERS MODULE



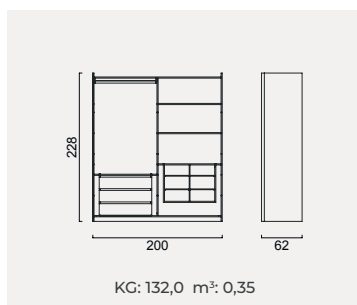
D 19 Double Cabinet  
CABINET WITH SHOES ORGANIZER



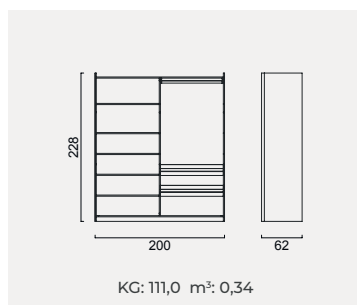
S 01 Sliding Door



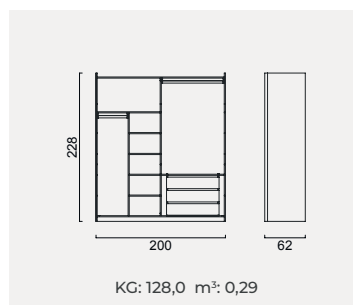
S 02 Sliding Door



S 03 Sliding Door



S 04 Sliding Door



# alfa plus main cabinets 245 cm

G 01 ALFA  
(SINGLE MAIN CABINET)



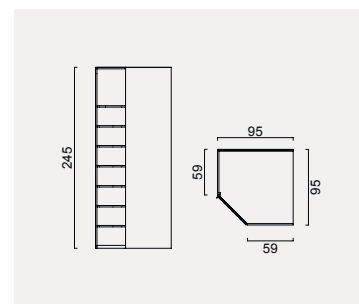
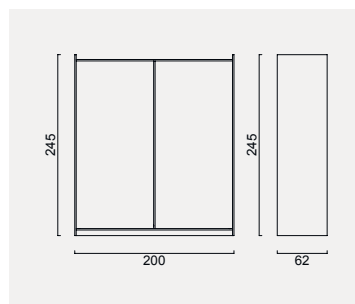
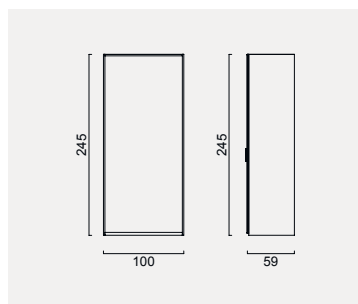
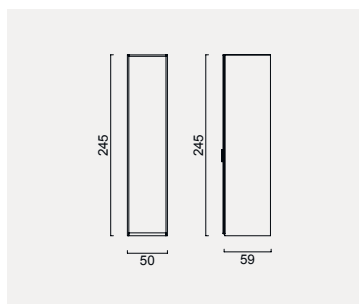
G 02 ALFA  
(DOUBLE MAIN CABINET)



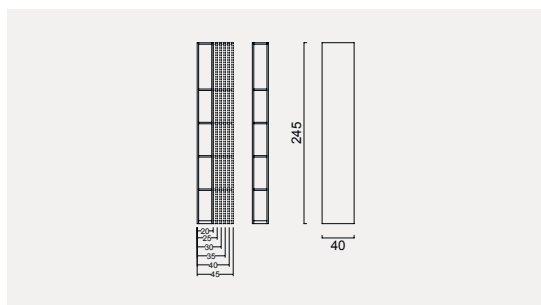
G 03 ALFA  
(CABINET WITH SLIDING DOORS)



D 09 ALFA  
(CORNER CABINET)

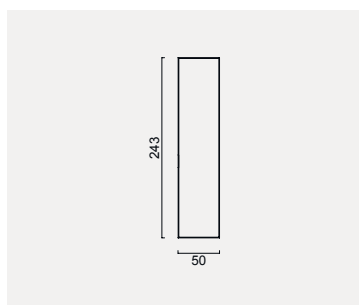


D 10 ALFA  
(MIDDLE MODULE CABINET)  
W: 20 - 25 - 30 - 35 - 40 - 45 cm)

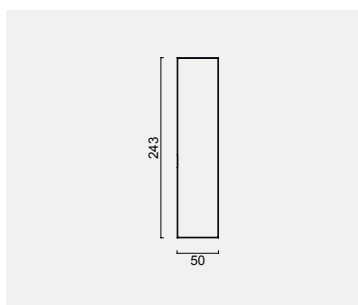


# alfa plus doors 245 cm (1 pc)

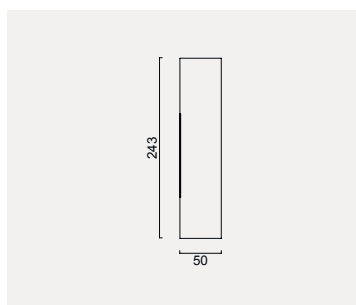
K 01 LENS  
(DARK TINT GLASS DOOR)



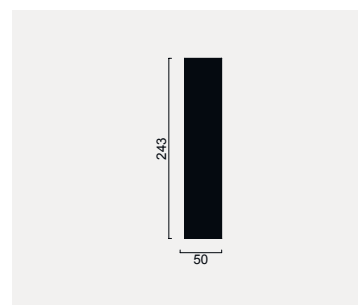
K 02 DOLE  
(MIRROR DOOR)



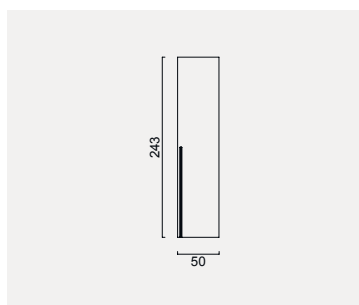
K 03 LYON  
(MIRROR DOOR)



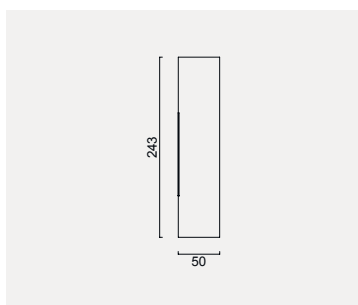
K 04 REZE  
(MDF DOOR)



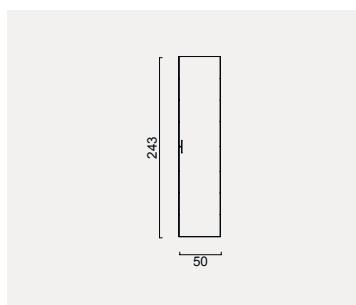
K 05 LAVAL  
(WOODEN DOOR)



K 06 PIZA  
(WOODEN DOOR)

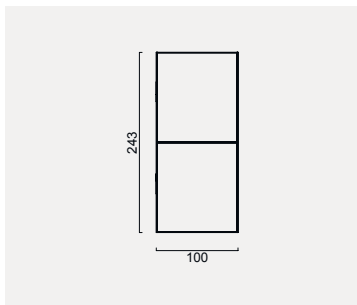


K 07 ALBI  
(WOODEN DOOR)

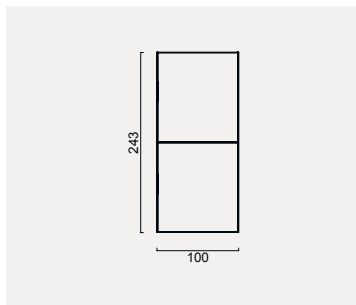
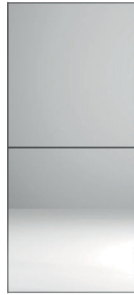


# alfa plus sliding doors 245 cm (2 pcs.)

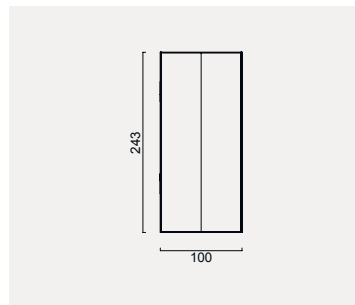
K 08 LENS  
(SLIDING DOOR) (2 PCS.)



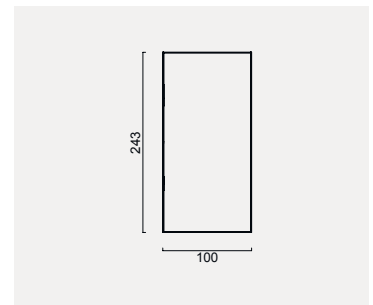
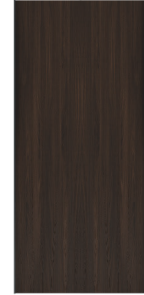
K 09 DOLE  
(SLIDING DOOR) (2 PCS.)



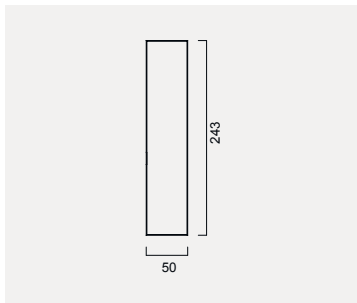
K 10 LYON  
(SLIDING DOOR) (2 PCS.)



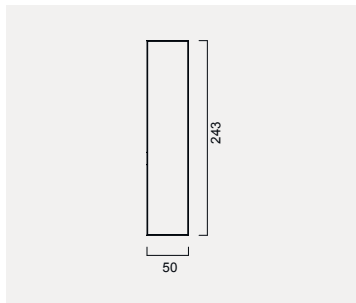
K 11 LYON  
(SLIDING DOOR) (2 PCS.)



K 12 ELIZE  
(GLASS DOOR)

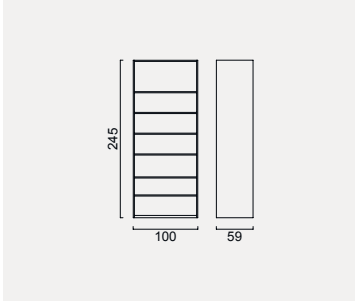


K 13 DORA  
(MIRROR DOOR)

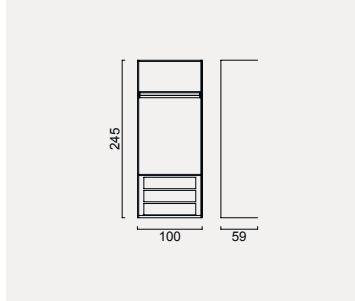


# alfa plus cabinets 245 cm (without door)

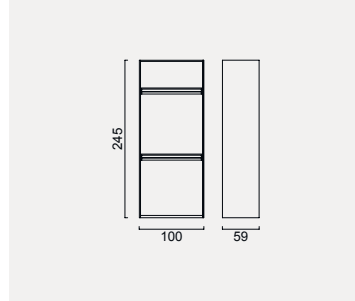
D 01 Double Cabinet  
CABINET WITH 6 SHELVES



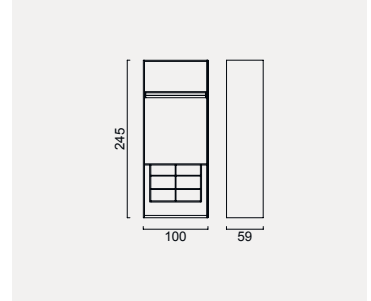
D 02 Double Cabinet  
CABINET WITH DRAWERS



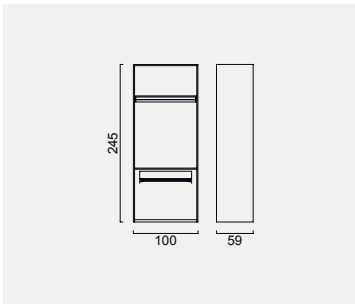
D 03 Double Cabinet  
CABINET WITH HANGER



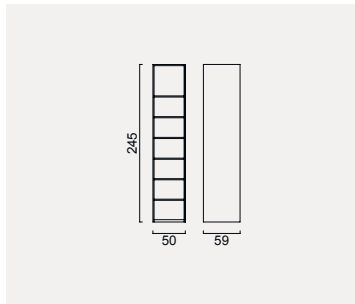
D 04 Double Cabinet  
CABINET WITH T-SHIRT ORGANIZER



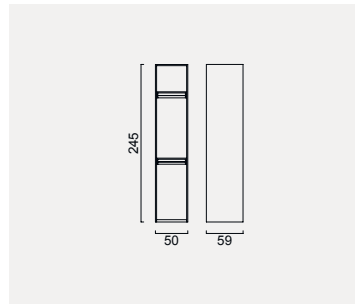
D 05 Double Cabinet  
CABINET WITH TROUSER RACK



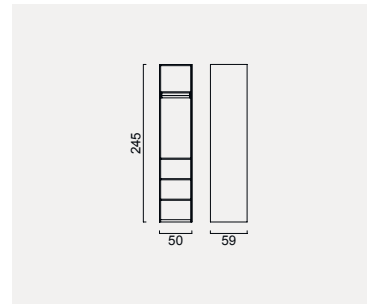
D 06 Single Cabinet  
CABINET WITH 6 SHELVES



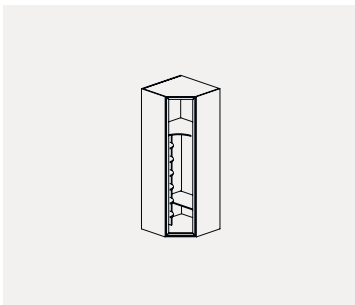
D 07 Single Cabinet  
CABINET WITH HANGER



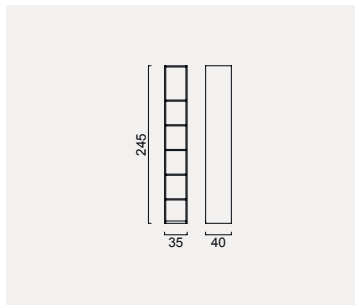
D 08 Single Cabinet  
CABINET WITH 3 SHELVES



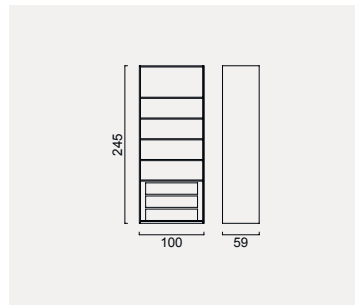
D 09 Corner Cabinet



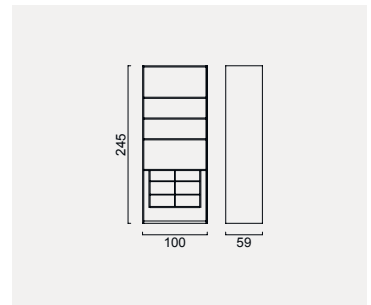
D 10 Mid Cabinet



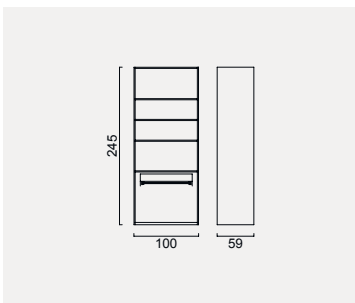
D 11 Double Cabinet  
CABINET WITH 4 SHELVES & DRAWERS



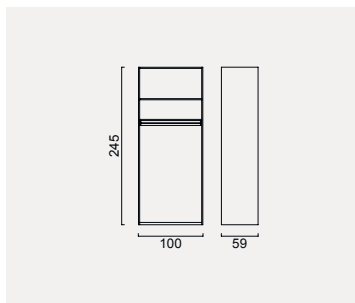
D 12 Double Cabinet  
CABINET WITH 3 SHELVES & T-SHIRT ORGANIZER



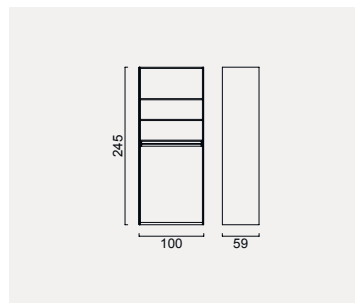
D 13 Double Cabinet  
CABINET WITH 3 SHELVES & TROUSER RACK



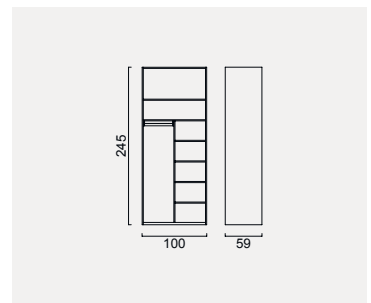
D 14 Double Cabinet  
CABINET WITH 1 SHELF & HANGER



D 15 Double Cabinet  
CABINET WITH 2 SHELVES & HANGER

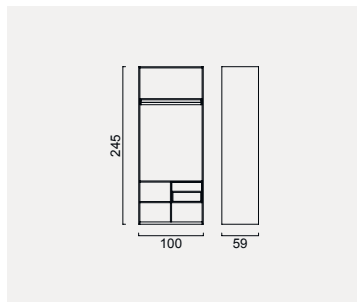


D 16 Double Cabinet  
DOUBLE CABINET WITH SEPERATOR  
MODULE AND SHLEVES

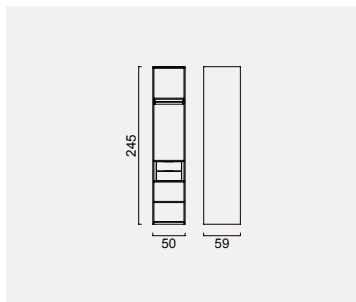


# alfa plus cabinets 245 cm (without door)

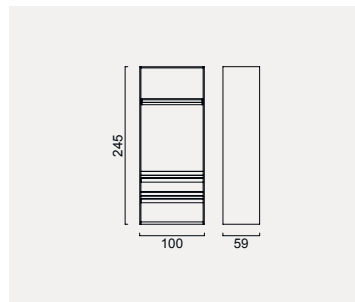
D 17 Double Cabinet  
CABINET WITH HIDDEN COMPARTMENT  
MODULE



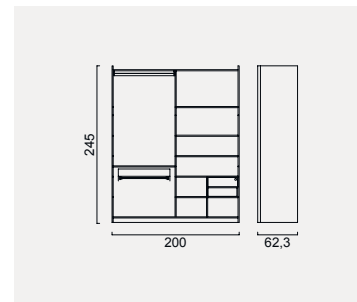
D 18 Single Cabinet  
WITH DRAWERS MODULE



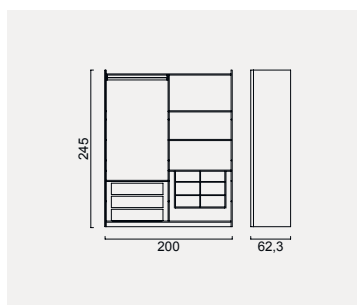
D 19 Double Cabinet  
CABINET WITH SHOES ORGANIZER



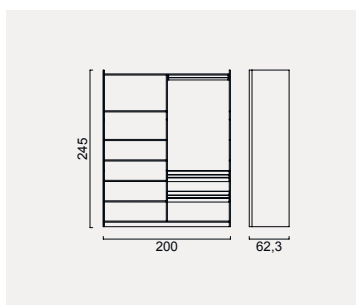
S 01 Sliding Door



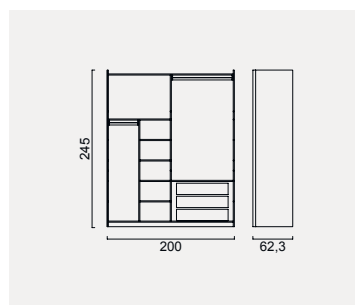
S 02 Sliding Door



S 03 Sliding Door



S 04 Sliding Door



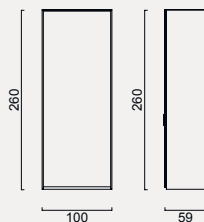
# alfa plus main cabinets 260 cm

G 01 ALFA  
(SINGLE MAIN CABINET)



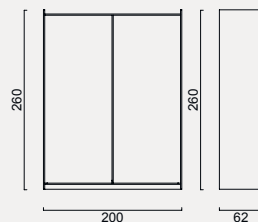
KG: 48,0 m<sup>3</sup>: 0,12

G 02 ALFA  
(DOUBLE MAIN CABINET)



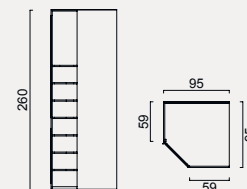
KG: 61,0 m<sup>3</sup>: 0,12

G 03 ALFA  
(CABINET WITH SLIDING DOORS)



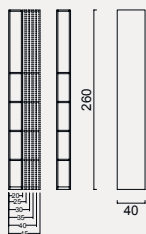
KG: 77,0 m<sup>3</sup>: 0,19

D 09 ALFA  
(CORNER CABINET)



KG: 148,0 m<sup>3</sup>: 0,44

D 10 ALFA  
(MIDDLE MODULE CABINET)  
W: 20 - 25 - 30 - 35 - 40 - 45 cm

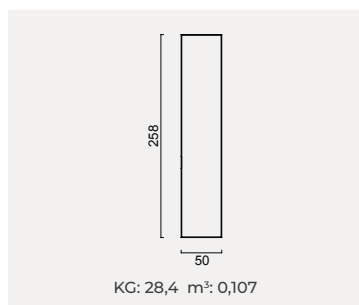


20 cm KG: 11,0 m<sup>3</sup>: 0,05  
25 cm KG: 12,0 m<sup>3</sup>: 0,05  
30 cm KG: 15,0 m<sup>3</sup>: 0,07  
35 cm KG: 20,0 m<sup>3</sup>: 0,07  
40 cm KG: 29,0 m<sup>3</sup>: 0,08  
45 cm KG: 37,0 m<sup>3</sup>: 0,08

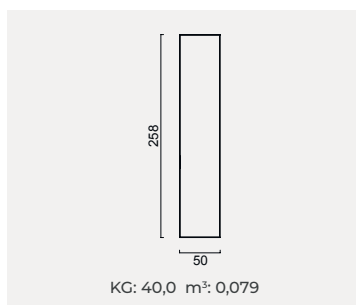


# alfa plus doors 260 cm (1 pc)

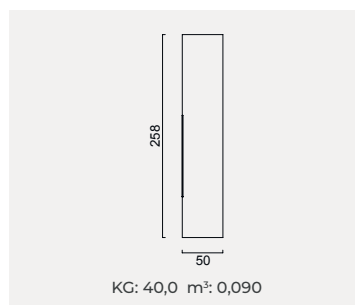
K 01 LENS  
(DARK TINT GLASS DOOR)



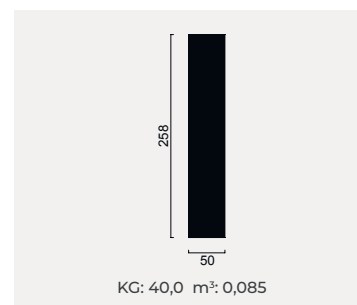
K 02 DOLE  
(MIRROR DOOR)



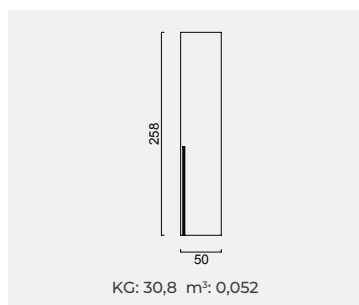
K 03 LYON  
(MIRROR DOOR)



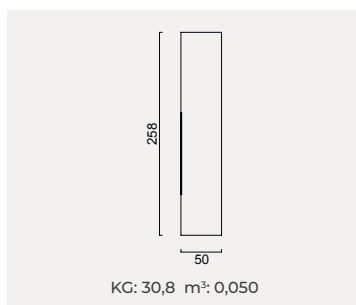
K 04 REZE  
(MDF DOOR)



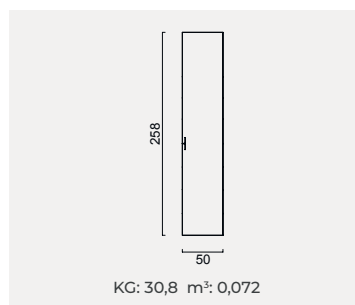
K 05 LAVAL  
(WOODEN DOOR)



K 06 PIZA  
(WOODEN DOOR)

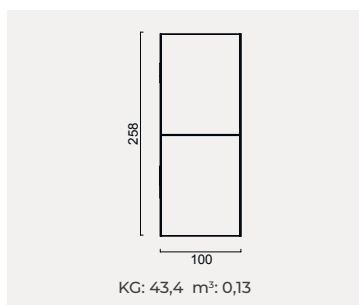


K 07 ALBI  
(WOODEN DOOR)

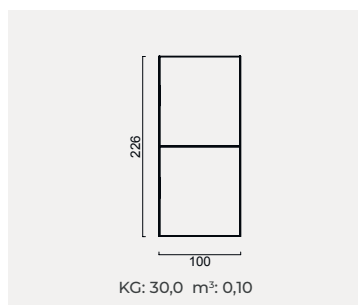


# alfa plus sliding doors 260 cm (2 pcs.)

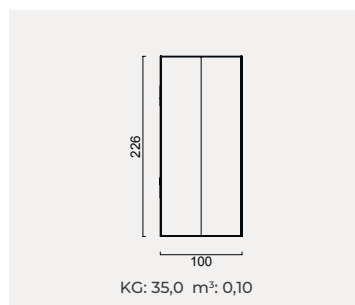
K 08 LENS  
(SLIDING DOOR) (2 PCS.)



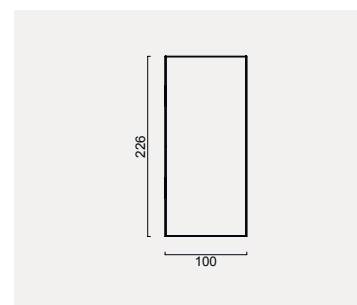
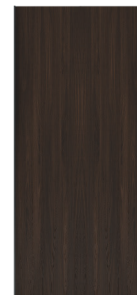
K 09 DOLE  
(SLIDING DOOR) (2 PCS.)



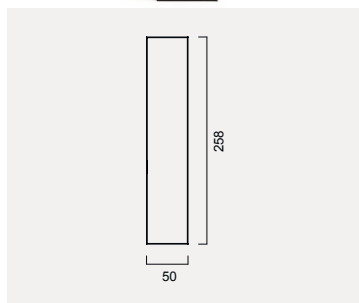
K 10 LYON  
(SLIDING DOOR) (2 PCS.)



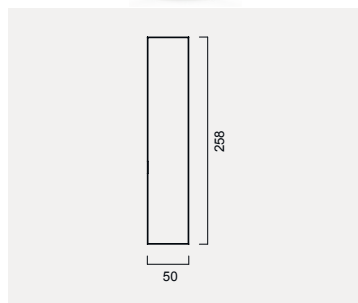
K 11 LYON  
(SLIDING DOOR) (2 PCS.)



K 12 ELIZE  
(GLASS DOOR)

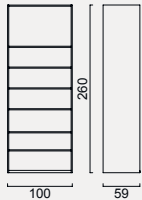


K 13 DORA  
(MIRROR DOOR)



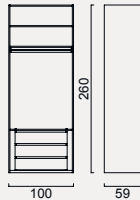
# alfa plus cabinets 260 cm (without door)

**D 01 Double Cabinet**  
CABINET WITH SHELVES



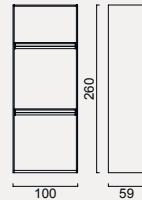
KG: 74,0 m<sup>3</sup>: 0,20

**D 02 Double Cabinet**  
CABINET WITH DRAWERS



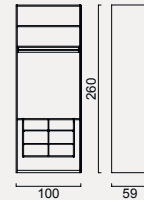
KG: 107,0 m<sup>3</sup>: 0,24

**D 03 Double Cabinet**  
CABINET WITH HANGER



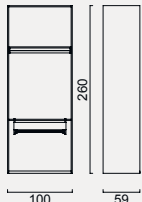
KG: 71,0 m<sup>3</sup>: 0,15

**D 04 Double Cabinet**  
CABINET WITH T-SHIRT ORGANIZER



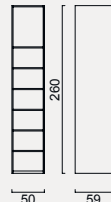
KG: 87,0 m<sup>3</sup>: 0,21

**D 05 Double Cabinet**  
CABINET WITH TROUSER RACK



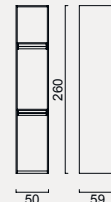
KG: 80,0 m<sup>3</sup>: 0,18

**D 06 Single Cabinet**  
CABINET WITH SHELVES



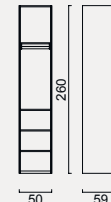
KG: 57,0 m<sup>3</sup>: 0,15

**D 07 Single Cabinet**  
CABINET WITH HANGER



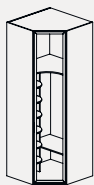
KG: 54,0 m<sup>3</sup>: 0,13

**D 08 Single Cabinet**  
CABINET WITH SHELVES



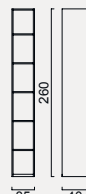
KG: 60,0 m<sup>3</sup>: 0,16

**D 09 Corner Cabinet**



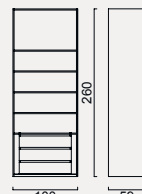
KG: 148,0 m<sup>3</sup>: 0,44

**D 10 Mid Cabinet**



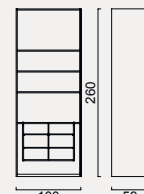
KG: 22,0 m<sup>3</sup>: 0,09

**D 11 Double Cabinet**  
CABINET WITH SHELVES & DRAWERS



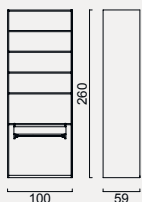
KG: 105,0 m<sup>3</sup>: 0,25

**D 12 Double Cabinet**  
CABINET WITH SHELVES & T-SHIRT ORGANIZER



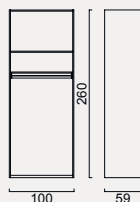
KG: 88,0 m<sup>3</sup>: 0,24

**D 13 Double Cabinet**  
CABINET WITH SHELVES & TROUSER RACK



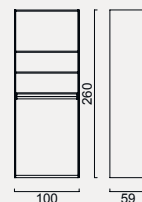
KG: 85,0 m<sup>3</sup>: 0,22

**D 14 Double Cabinet**  
CABINET WITH SHELF & HANGER



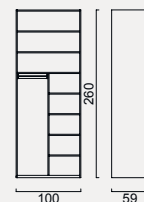
KG: 73,0 m<sup>3</sup>: 0,17

**D 15 Double Cabinet**  
CABINET WITH SHELVES & HANGER



KG: 76,0 m<sup>3</sup>: 0,20

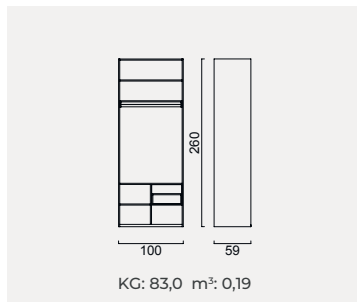
**D 16 Double Cabinet**  
DOUBLE CABINET WITH SEPARATOR  
MODULE AND SHLEVES



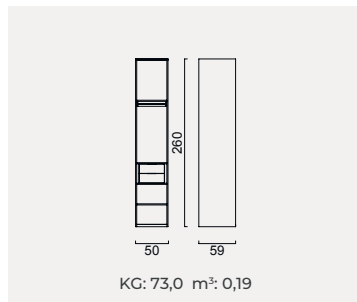
KG: 91,0 m<sup>3</sup>: 0,22

# alfa plus cabinets 260 cm (without door)

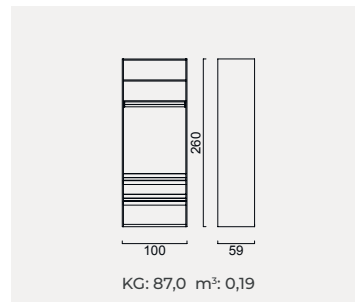
D 17 Double Cabinet  
CABINET WITH HIDDEN COMPARTMENT  
MODULE



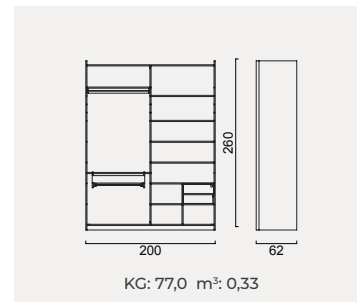
D 18 Single Cabinet  
WITH DRAWERS MODULE



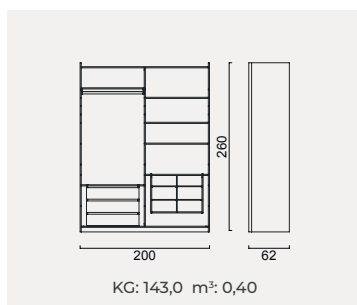
D 19 Double Cabinet  
CABINET WITH SHOES ORGANIZER



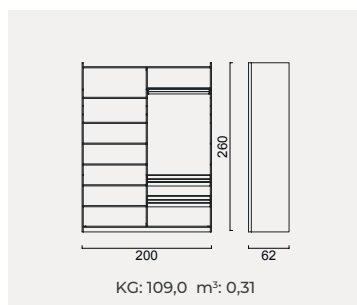
S 01 Sliding Door



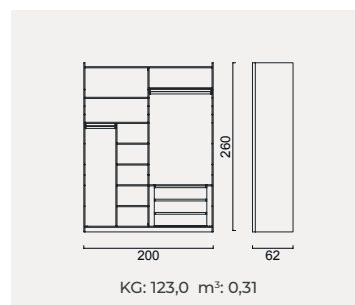
S 02 Sliding Door



S 03 Sliding Door



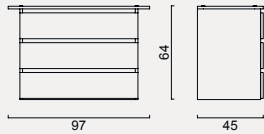
S 04 Sliding Door



# alfa plus modules

M 01

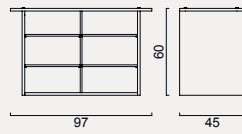
DRAWERS MODULE



KG: 34,6 m<sup>3</sup>: 0,07

M 02

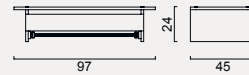
T-SHIRT ORGANIZER MODULE



KG: 14,0 m<sup>3</sup>: 0,03

M 03

JEWELLERY ORGANIZER AND TROUSER RACK MODULE



KG: 14,0 m<sup>3</sup>: 0,03

M 04

LONG SHELF MODULE WITH HANGER



KG: 5,8 m<sup>3</sup>: 0,01

M 05

LONG SHELF MODULE WITH HANGER 2 PCS.



KG: 10,8 m<sup>3</sup>: 0,02

M 06

LONG SHELF MODULE



KG: 5,6 m<sup>3</sup>: 0,09

M 07

LONG SHELF MODULE 2 PCS.



KG: 10,0 m<sup>3</sup>: 0,01

M 08

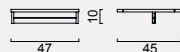
LONG SHELF MODULE 3 PCS.



KG: 14,6 m<sup>3</sup>: 0,02

M 09

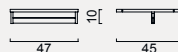
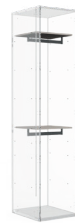
SHORT SHELF MODULE WITH HANGER



KG: 2,8 m<sup>3</sup>: 0,08

M 10

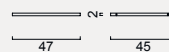
SHORT SHELF MODULE WITH HANGER 2 PCS.



KG: 5,4 m<sup>3</sup>: 0,01

M 11

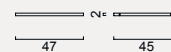
SHORT SHELF MODULE



KG: 2,8 m<sup>3</sup>: 0,04

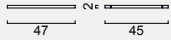
M 12

SHORT SHELF MODULE 2 PCS.



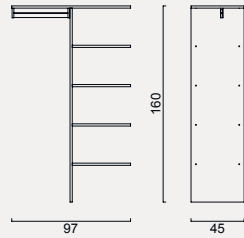
KG: 5,6 m<sup>3</sup>: 0,08

**M 13**  
SHORT SHELF MODULE 3 PCS.



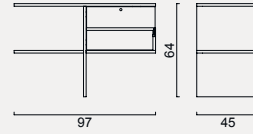
KG: 7,2 m<sup>3</sup>: 0,01

**M 14**  
SEPARATOR MODULE WITH SHELVES



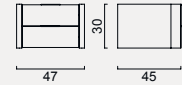
KG: 20,4 m<sup>3</sup>: 0,04

**M 15**  
HIDDEN COMPARTMENT MODULE



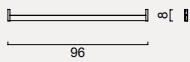
KG: 14,0 m<sup>3</sup>: 0,02

**M 16**  
SHORT DRAWERS MODULE



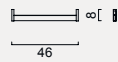
KG: 10,0 m<sup>3</sup>: 0,01

**M 17**  
LONG HANGER



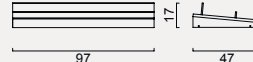
KG: 0,5 m<sup>3</sup>: 0,02

**M 18**  
SHORT HANGER



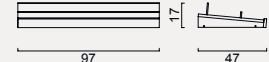
KG: 0,5 m<sup>3</sup>: 0,02

**M 19**  
SHOES ORGANIZER MODULE



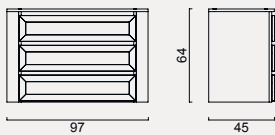
KG: 3,0 m<sup>3</sup>: 0,02

**M 20**  
SHOES ORGANIZER MODULE 2 PCS.



KG: 6,0 m<sup>3</sup>: 0,04

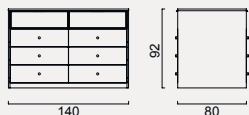
**M 21**  
DRAWERS MODULE (GLASS)



# alfa plus - puzzle extra modules

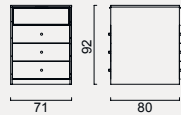


Island Unit  
(Big)



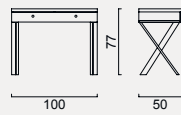
KG: 166,0 m<sup>3</sup>: 0,32

Island Unit  
(Small)



KG: 83,0 m<sup>3</sup>: 0,16

Dresser  
(Without Mirror)



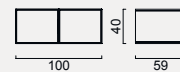
KG: 40,0 m<sup>3</sup>: 0,10

Mirror



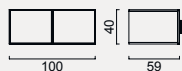
KG: 25,0 m<sup>3</sup>: 0,04

Top Module  
(Wooden Door)



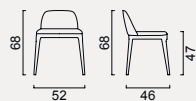
KG: 33,0 m<sup>3</sup>: 0,07

Top Module (Glass Door)

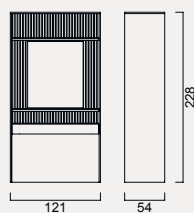


KG: 35,0 m<sup>3</sup>: 0,07

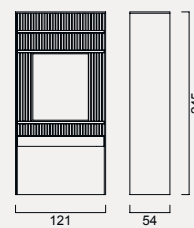
Make Up Unit Chair



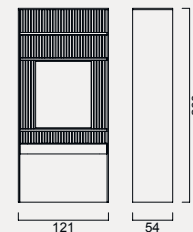
Make Up Unit 230 cm



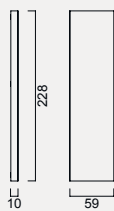
Make Up Unit 245 cm



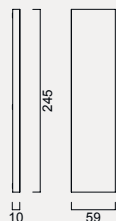
Make Up Unit 260 cm



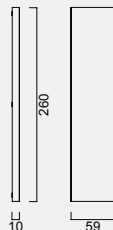
Side Extension  
Panel 230 cm



Side Extension  
Panel 245 cm



Side Extension  
Panel 260 cm

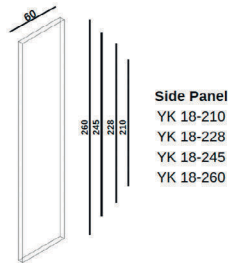


Pouf





• For Hinged Cabinets



**Side Panel**  
 YK 18-210  
 YK 18-228  
 YK 18-245  
 YK 18-260

◦ For Hinged Cabinets Left and right Side panels are identical



• For Sliding Door Cabinet's Left Side

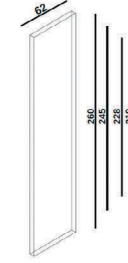


**Sliding Door Side Panel**  
 SYK 18-210 (Left)  
 SYK 18-228 (Left)  
 SYK 18-245 (Left)  
 SYK 18-260 (Left)

• Side Panels For Sliding Door Cabinets Are shown Above

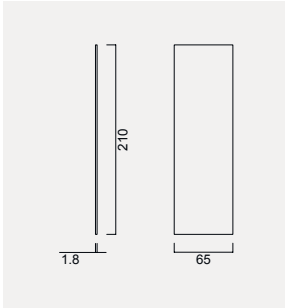


• For Sliding Door Cabinet's Right Side

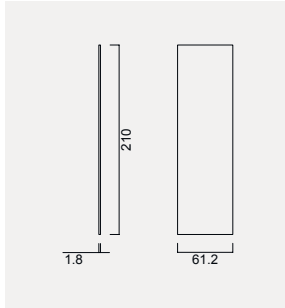


**Sliding Door Side Panel**  
 SYK 18-210 (Right)  
 SYK 18-228 (Right)  
 SYK 18-245 (Right)  
 SYK 18-260 (Right)

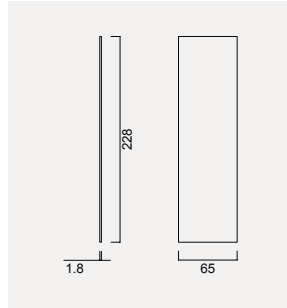
Sliding Door Side Panel  
210 cm (Left)



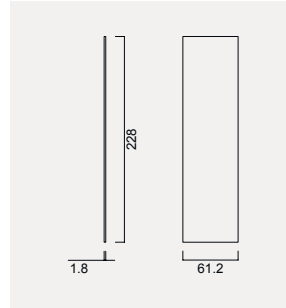
Sliding Door Side Panel  
210 cm (Right)



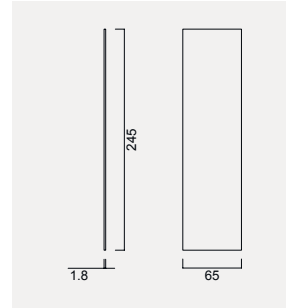
Sliding Door Side Panel  
228 cm (Left)



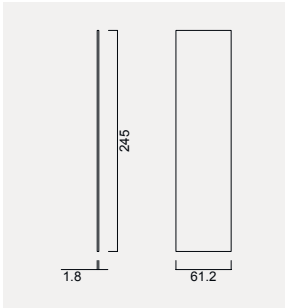
Sliding Door Side Panel  
228 cm (Right)



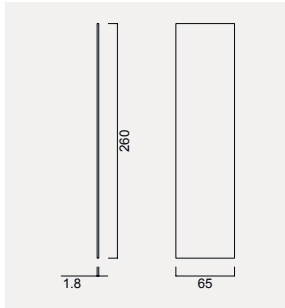
Sliding Door Side Panel  
245 cm (Left)



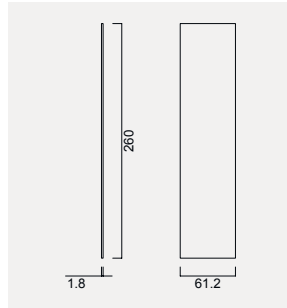
Sliding Door Side Panel  
245 cm (Right)



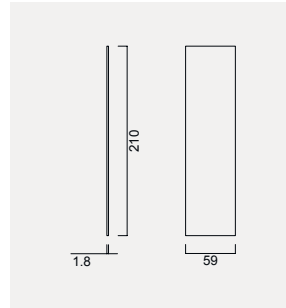
Sliding Door Side Panel  
260 cm (Left)



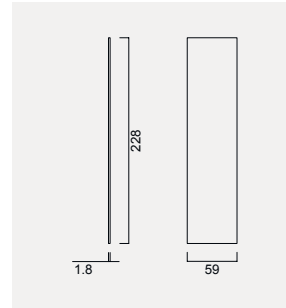
Sliding Door Side Panel  
260 cm (Right)



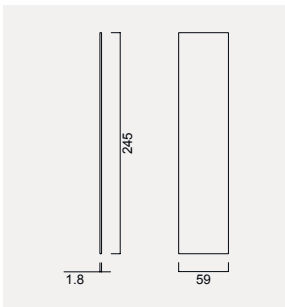
Double-Single Cabinet  
Side Panel 210 cm



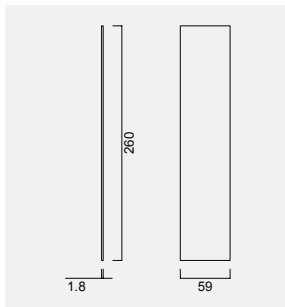
Double-Single Cabinet  
Side Panel 228 cm



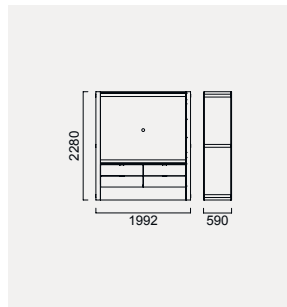
Double-Single Cabinet  
Side Panel 245 cm



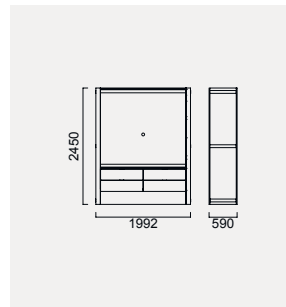
Double-Single Cabinet  
Side Panel 260 cm



TV Module  
230 cm



TV Module  
245 cm



TV Module  
260 cm

